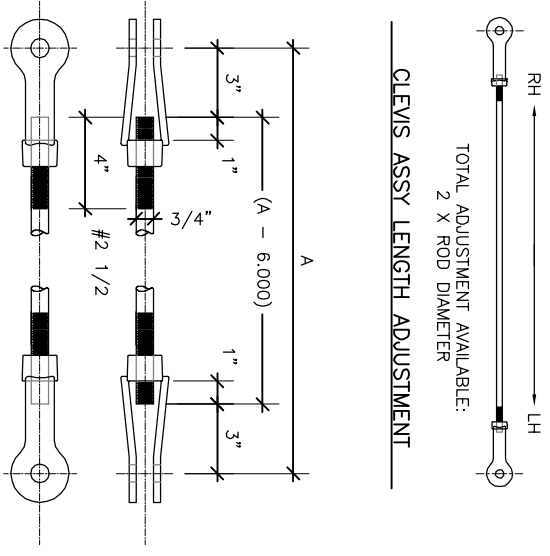


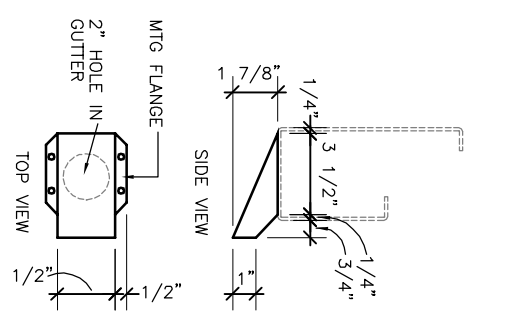
ENTRANCE CANOPY - SECTION A-A

NOTE:  
CANOPY TO BE PAINTED  
COLOR: TBD

NOTE:  
FIELD CUT HOLE FOR DIVERTER  
WHERE DESIRED TAKING CARE  
NOT TO DAMAGE ANY WELDS  
AT CORNERS.  
INSTALL DIVERTER SUCH THAT  
WATER IS DIRECTED AWAY  
FROM PEDESTRIAN TRAFFIC  
AND/OR LANDSCAPE FEATURES

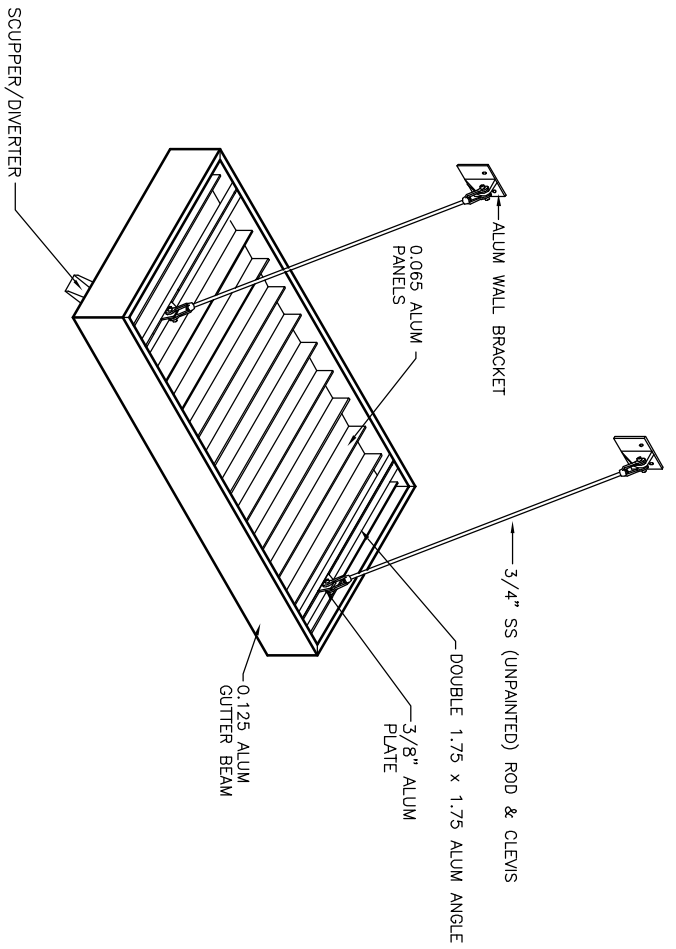
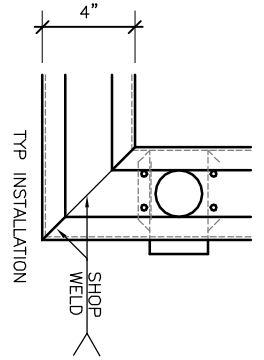


CLEVIS ASSY LENGTH ADJUSTMENT



DRAIN WATER DIVERTER

NOTE:  
FIELD CUT HOLE FOR DIVERTER  
WHERE DESIRED TAKING CARE  
NOT TO DAMAGE ANY WELDS  
AT CORNERS.  
INSTALL DIVERTER SUCH THAT  
WATER IS DIRECTED AWAY  
FROM PEDESTRIAN TRAFFIC  
AND/OR LANDSCAPE FEATURES



ALUMINUM CANOPY ISOMETRIC VIEW  
(GENERIC VIEW - NTS)

<b>PROJECT DATA</b>	
PROJECT NAME:	MARQUEE CLASSIC 1240
LOCATION:	
CUSTOMER:	
ARCHITECT:	
DRAWN BY:	EZM
CHECKED BY:	
DATE:	07/15/19
STATUS:	
PROJECT NUMBER:	
ISSUANCE # & NUMBER:	CLASSIC 1240 - 071519

ENGINEERING & DESIGN  
3627 RED ROOSTER LANE  
FARMINGTON, MO 63640  
(573) 836-2671

**FLOLINE**  
FLOLINE ARCHITECTURAL SYSTEMS

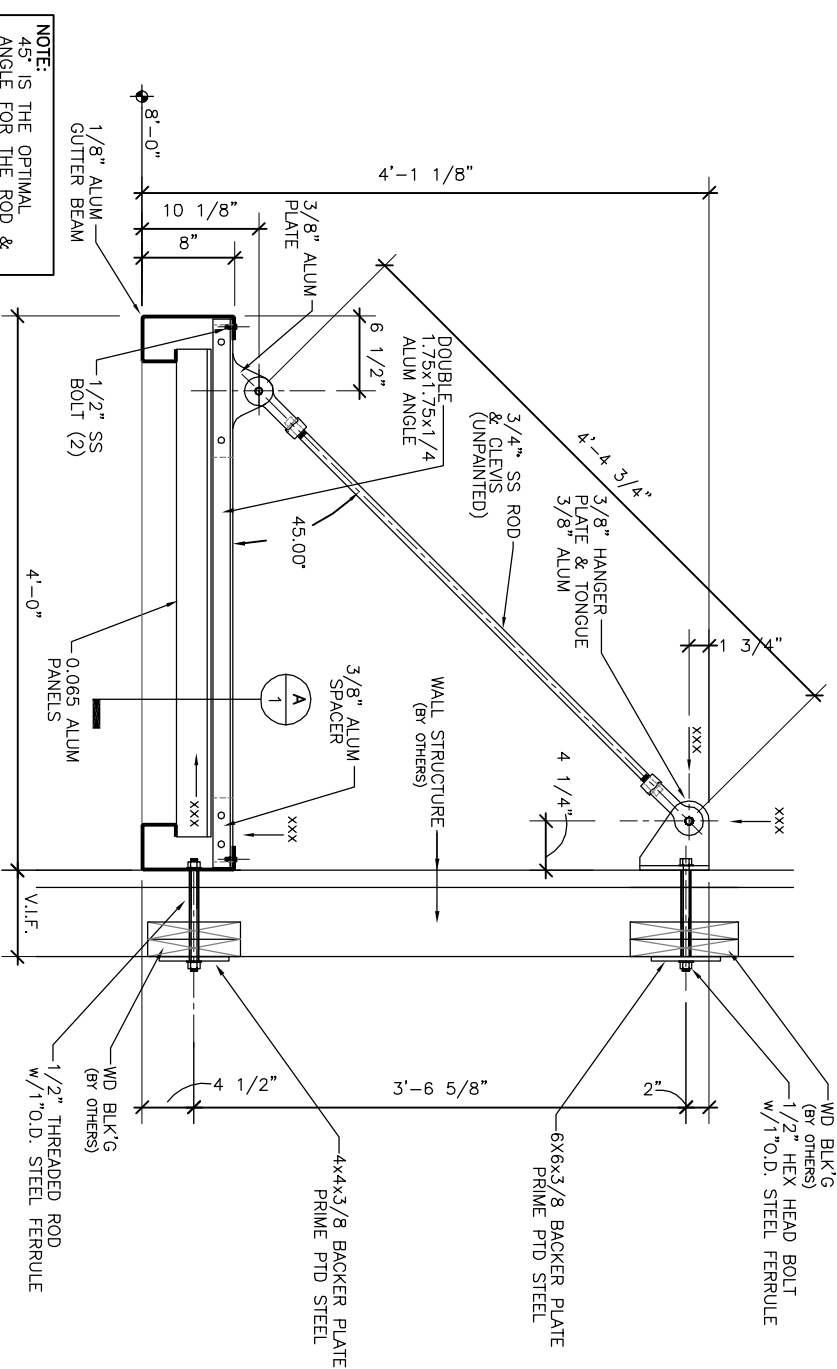
NATIONAL SALES OFFICE  
16108 SOUTH ROUTE 59  
PLAINFIELD, ILLINOIS 60586  
(866) 356-5463  
(815) 733-6999 (FAX)

MARQUEE CLASSIC 1240

COPYRIGHT ©2019  
THESE DESIGNS AND  
DRAWINGS ARE THE  
PROPERTY OF FLOLINE  
ARCHITECTURAL SYSTEMS  
LLC. THEY MAY NOT BE  
USED OR REPRODUCED IN  
ANY MANNER WITHOUT  
EXPRESS WRITTEN  
PERMISSION.

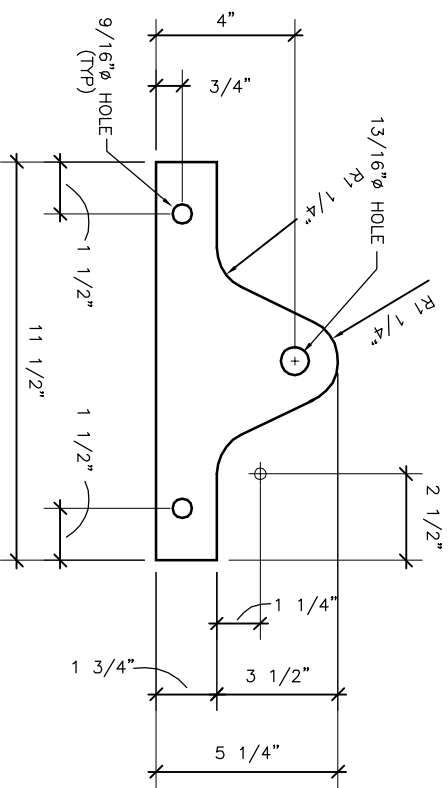
**DESIGN CRITERIA (TO BE ADJUSTED TO PROJECT SPECIFIC CRITERIA)**

- DESIGN CODES:**  
ALL WORK SHALL BE IN CONFORMANCE WITH THE IBC BLDG CODE 2012 EDITION INCLUDING ALL AMENDMENTS. STANDARDS USED SHALL BE THE LATEST VERSION APPROVED BY THE CODE ENFORCEMENT AGENCY ON THE DATE OF THE PERMIT ISSUANCE UNLESS SPECIFICALLY NOTED OTHERWISE.
- LOCATION/OCCUPANCY CATEGORY:**  
LOCATION: VALDOSTA, GA  
RISK CATEGORY: II
- GRAVITY LOADS:**  
CANOPY SELF WEIGHT: 4 psf
- WIND LOADS**  
I = 1.0  
DESIGN WIND SPEED = 115mph  
WIND IMPORTANCE FACTOR (I<sub>w</sub>) = 1.00 - EXPOSURE C
- SEISMIC LOADING:**  
SEISMIC IMPORTANCE FACTOR (I<sub>e</sub>) = 1.00 - SEISMIC DESIGN CATEGORY: C  
SEISMIC RESPONSE ACCELERATIONS  
S<sub>s</sub> = 0.1049 S<sub>ds</sub> = 0.1119  
S<sub>1</sub> = 0.0609 S<sub>d1</sub> = 0.0969
- SNOW LOADS:**  
GROUND SNOW LOAD P<sub>g</sub> = 20 PSF  
SNOW EXPOSURE FACTOR (I<sub>s</sub>) = 1.00  
THERMAL FACTOR C<sub>t</sub> = 1.20  
SNOW IMPORTANCE FACTOR (I<sub>s</sub>) = 1.00

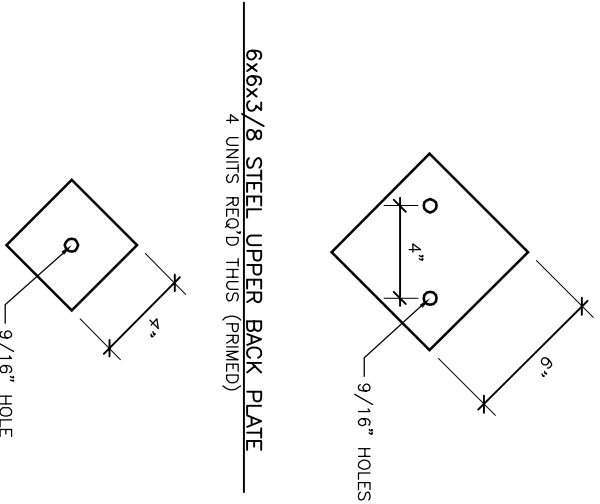


**NOTE:**  
45° IS THE OPTIMAL ANGLE FOR THE ROD & CLEVIS BUT IT CAN BE ADJUSTED IF REQUIRED TO AVOID BLDG ELEMENTS ABOVE THE CANOPY.

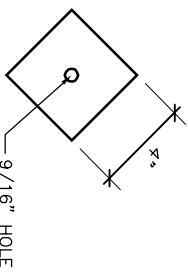
SECTION B



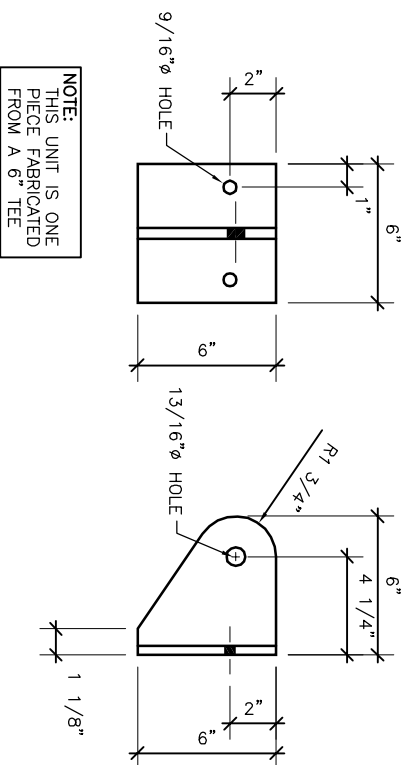
STANDARD MARQUEE HANGER PLATE  
3/4\"/>



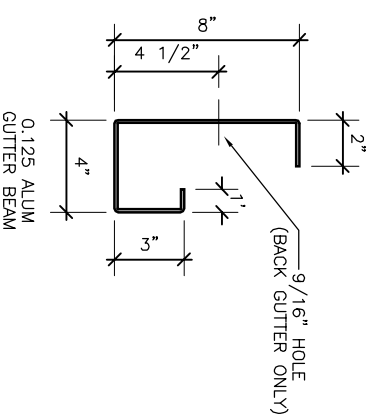
6x6x3/8 STEEL UPPER BACK PLATE  
4 UNITS REQ'D THUS (PRIMED)



4x4x3/8 STEEL LOWER BACK PLATE BKT  
8 UNITS REQ'D THUS (PRIMED)



STANDARD MARQUEE WALL BRACKET  
3/4\"/>



0.125 ALUM  
GUTTER BEAM

**NOTE:**  
THIS UNIT IS ONE PIECE FABRICATED FROM A 6\"/>

PROJECT DATA	
PROJECT NAME:	MARQUEE CLASSIC 1240
LOCATION:	
CUSTOMER:	
ARCHITECT:	
DRAWN BY:	EZM
CHECKED BY:	
REVISIONS:	
PROJECT NUMBER:	
ISSUANCE FILE NUMBER:	CLASSIC 1240 - 071519

ENGINEERING & DESIGN  
3627 RED ROOSTER LANE  
FARMINGTON, MO 63640  
(573) 836-2671

**FLOLINE**  
FLOLINE ARCHITECTURAL SYSTEMS

NATIONAL SALES OFFICE  
16108 SOUTH ROUTE 59  
PLAINFIELD, ILLINOIS 60586  
(866) 356-5463  
(815) 733-6999 (FAX)

**MARQUEE CLASSIC 1240**

COPYRIGHT ©2019  
THESE DESIGNS AND DRAWINGS ARE THE PROPERTY OF FLOLINE ARCHITECTURAL SYSTEMS LLC. THEY MAY NOT BE USED OR REPRODUCED IN ANY MANNER WITHOUT EXPRESS WRITTEN PERMISSION.