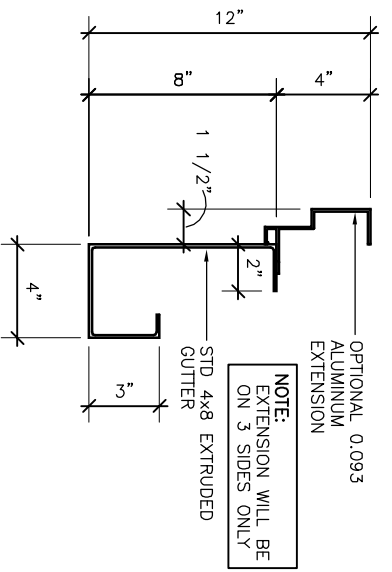


CODE COMPLIANCE CRITERIA (TO BE MODIFIED TO JOB SPECIFIC DATA)

COMPLY WITH THE APPLICABLE PROVISIONS OF ALL FEDERAL, STATE AND LOCAL CODES AND ORDINANCES INCLUDING THE INTERNATIONAL BUILDING CODE - 2009 EDITION DESIGN LOAD OCCUPANCY CATEGORY II

1. DESIGN LIVE LOADS
 - A. ROOF LOADS
 - 1.1 MINIMUM ROOF LIVE LOAD = 20 PSF
 - 1.2 GROUND SNOW LOAD = 25 PSF
 - 1.2a SNOW EXPOSURE FACTOR (CE) = 1.0
 - 1.2b SNOW IMPORTANCE FACTOR (IS) = 1.0
 - 1.2c THERMAL FACTOR = 1.0
 - 1.3 FLAT ROOF SNOW LOAD (PF) = 20 PSF
 - 1.4 TOTAL DESIGN SNOW LOAD = 20 PSD + DRIFTING
2. DESIGN WIND LOADS
 - A. BASIC WIND SPEED (3 SECOND GUST) = 90 MPH (NOM), 115 MPH (ULT)
 - 2.1 EXPOSURE = C
 - 2.2 IMPORTANCE FACTOR = 1.00
3. SEISMIC (IBC)

SPECTRAL SOIL ACCELERATION	SS = 0.181
SPECTRAL SOIL ACCELERATION	S1 = 0.061
SHORT PERIOD DESIGN ACCELERATION	SDS = 0.193
LONG PERIOD DESIGN ACCELERATION	SD1 = 0.098
SEISMIC IMPORTANCE FACTOR (LE)	= 1.00
SEISMIC DESIGN CATEGORY	= B
SEISMIC SITE SOIL CLASS	= D
RESPONSE MODIFICATION FACTOR (R)	= 4
SEISMIC RESPONSE COEFFICIENT (CS)	= 0.483
BASIC SEISMIC FORCE RESISTANCE SYSTEM	= INTERMEDIATE REINFORCED MASONRY SHEAR WALLS
ANALYSIS PROCEDURES	= EQUIVALENT LATERAL FORCE METHOD 1
DESIGN BASE SHEAR (V = Cs x W)	= 210 KIPS



PROJECT DATA
 PROJECT NAME: 10040 CLASSIC
 LOCATION: DAYLIGHT MARQUEE

ENGINEERING & DESIGN
 3627 RED ROOSTER LANE
 FARMINGTON, MO 63640
 (573) 836-2671

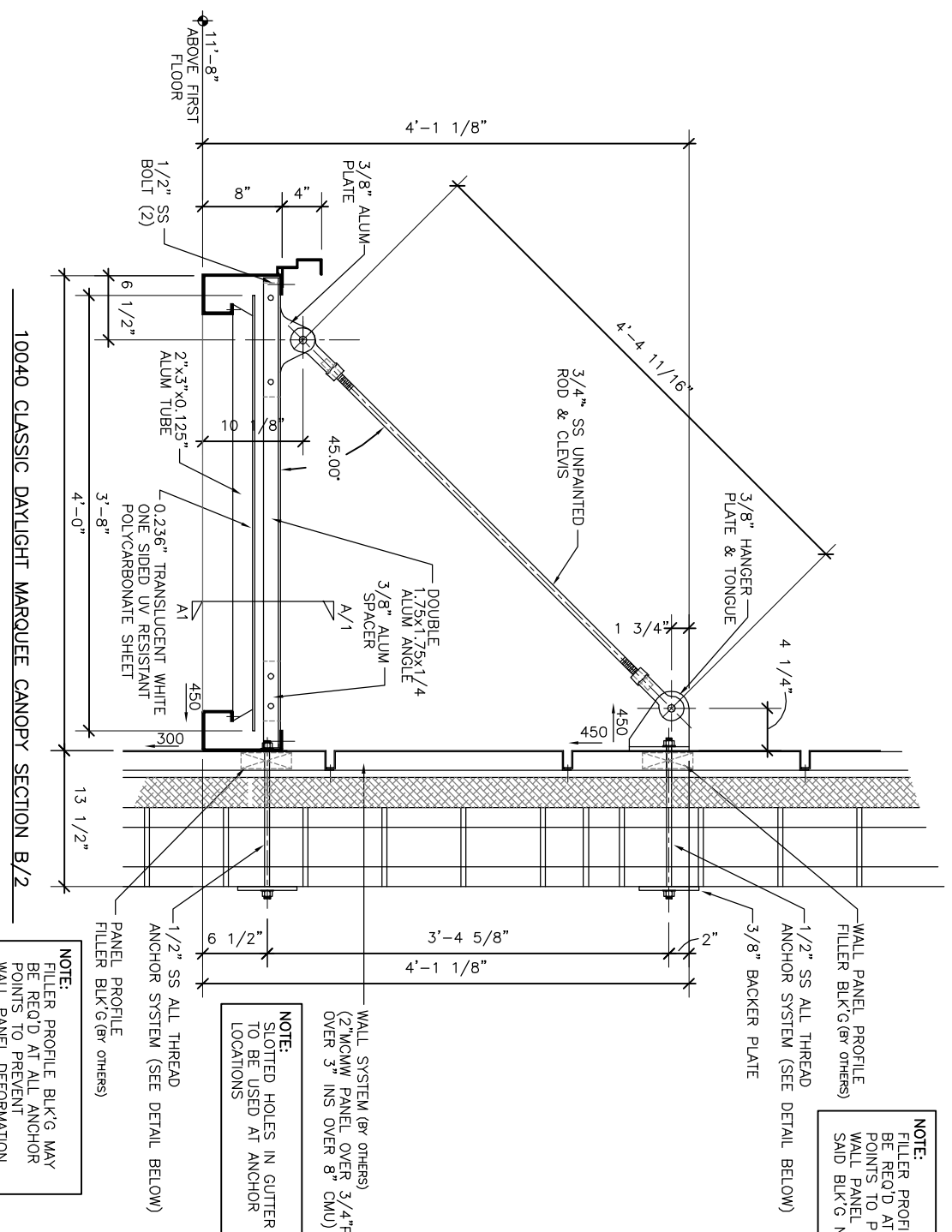


NATIONAL SALES OFFICE
 16108 SOUTH ROUTE 59
 PLAINFIELD, ILLINOIS 60586
 (866) 356-5463
 (815) 733-6999 (FAX)

10040 CLASSIC DAYLIGHT MARQUEE

COPYRIGHT ©2019
 THESE DESIGNS AND DRAWINGS ARE THE PROPERTY OF FLOLINE ARCHITECTURAL SYSTEMS LLC. THEY MAY NOT BE USED OR REPRODUCED IN ANY MANNER WITHOUT EXPRESS WRITTEN PERMISSION.

SHEET		DESIGN BY: ECM	DATE: 07/15/19
CHECKED BY:		STATUS:	
REVISIONS:		ISSUANCE FILE NUMBER: CLASSIC DAYLIGHT 10040	
PROJECT NUMBER:		OF 4	



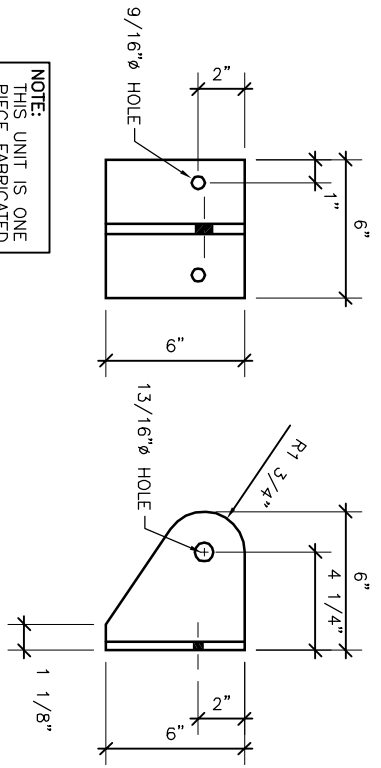
INSTALLER NOTE:
TAKE CARE DURING INSTALLATION OF CANOPY TO NOT DAMAGE THE POLYCARBONATE SHEET

NOTE:
FILLER PROFILE BLK'G MAY BE REQ'D AT ALL ANCHOR POINTS TO PREVENT WALL PANEL DEFORMATION SAID BLK'G NOT BY FLOLINE

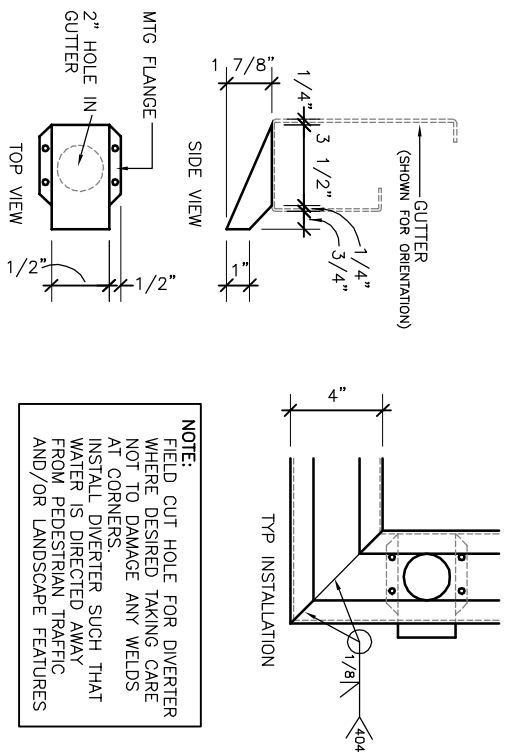
NOTE:
SLOTTED HOLES IN GUTTER TO BE USED AT ANCHOR LOCATIONS

NOTE:
FILLER PROFILE BLK'G MAY BE REQ'D AT ALL ANCHOR POINTS TO PREVENT WALL PANEL DEFORMATION SAID BLK'G NOT BY FLOLINE

NOTE:
THIS UNIT IS ONE PIECE FABRICATED FROM A 6\"/>



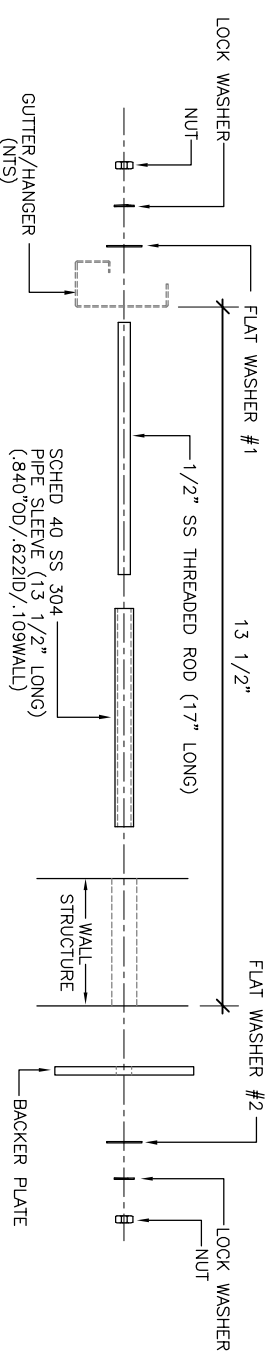
STANDARD MARQUEE WALL BRACKET
3/4\"/>



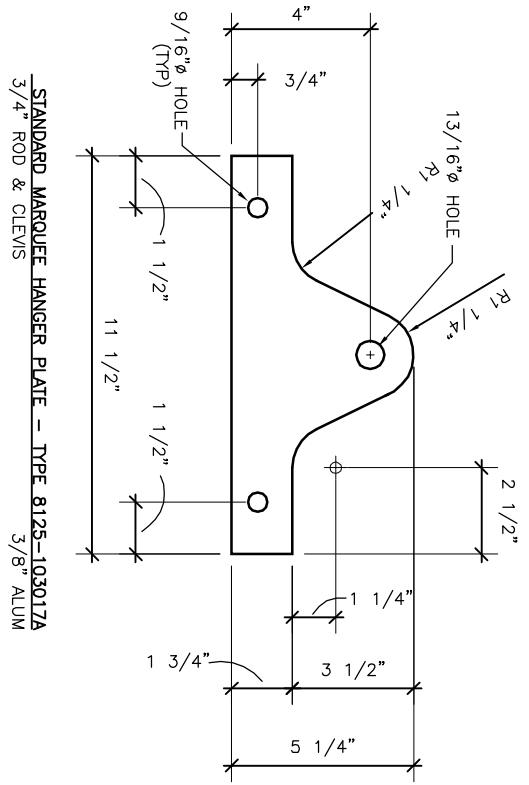
NOTE:
FIELD CUT HOLE FOR DIVERTER WHERE DESIRED TAKING CARE NOT TO DAMAGE ANY WELDS AT CORNERS. INSTALL DIVERTER SUCH THAT WATER IS DIRECTED AWAY FROM PEDESTRIAN TRAFFIC AND/OR LANDSCAPE FEATURES

NOTE:
SCUPPER/DIVERTER IS STD. DOWNSPOUT IS OPTIONAL IN LIEU OF SCUPPER/DIVERTER

DRAIN WATER DIVERTER



ANCHOR SYSTEM DETAIL (EXPLODED)



STANDARD MARQUEE HANGER PLATE - TYPE 8125-103017A
3/4\"/>

PROJECT DATA	
PROJECT NAME:	10040 CLASSIC
LOCATION:	DAYLIGHT MARQUEE
CUSTOMER:	
ARCHITECT:	
DRAWN BY:	EZM
CHECKED BY:	
PROJECT NUMBER:	
ISSUANCE DATE:	07/15/19
STATUS:	
ISSUANCE DATE:	
CLASSIC DAYLIGHT 10040	

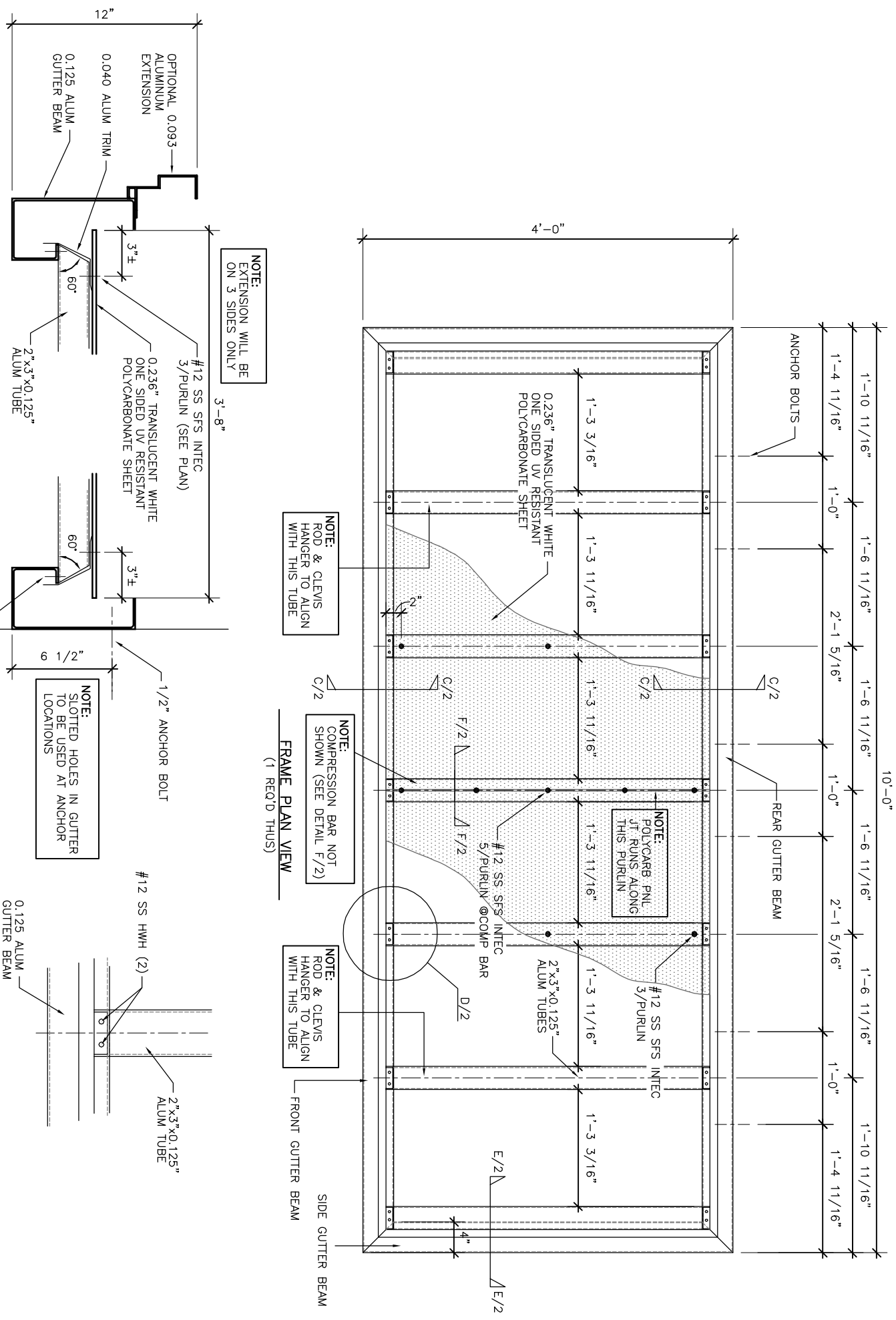
ENGINEERING & DESIGN
3627 RED ROOSTER LANE
FARMINGTON, MO 63640
(573) 836-2671

FLOLINE
FLOLINE ARCHITECTURAL SYSTEMS

NATIONAL SALES OFFICE
16108 SOUTH ROUTE 59
PLAINFIELD, ILLINOIS 60586
(866) 356-5463
(815) 733-6999 (FAX)

10040 CLASSIC
DAYLIGHT MARQUEE

COPYRIGHT ©2019
THESE DESIGNS AND DRAWINGS ARE THE PROPERTY OF FLOLINE ARCHITECTURAL SYSTEMS LLC. THEY MAY NOT BE USED OR REPRODUCED IN ANY MANNER WITHOUT EXPRESS WRITTEN PERMISSION.



NOTE:
EXTENSION WILL BE
ON 3 SIDES ONLY

NOTE:
ROD & CLEVIS
HANGER TO ALIGN
WITH THIS TUBE

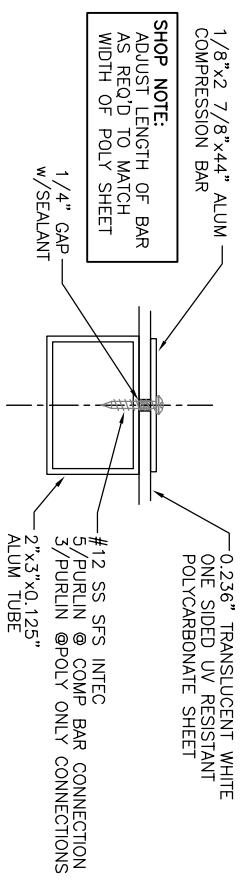
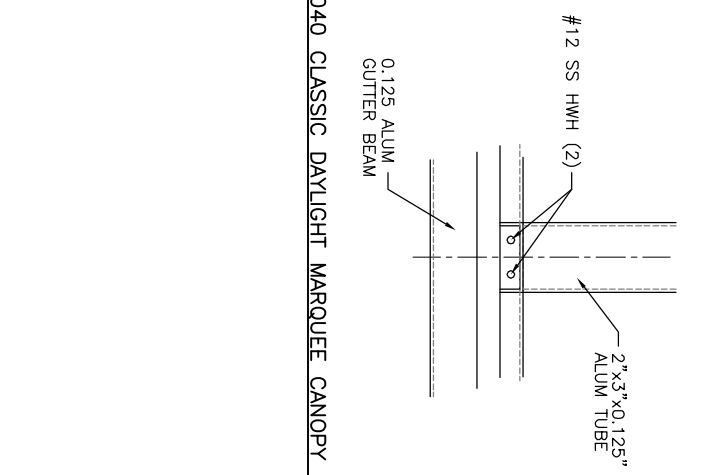
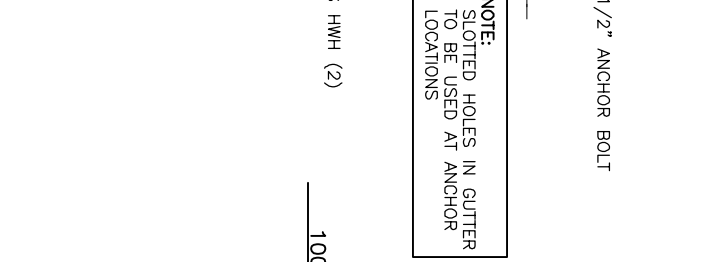
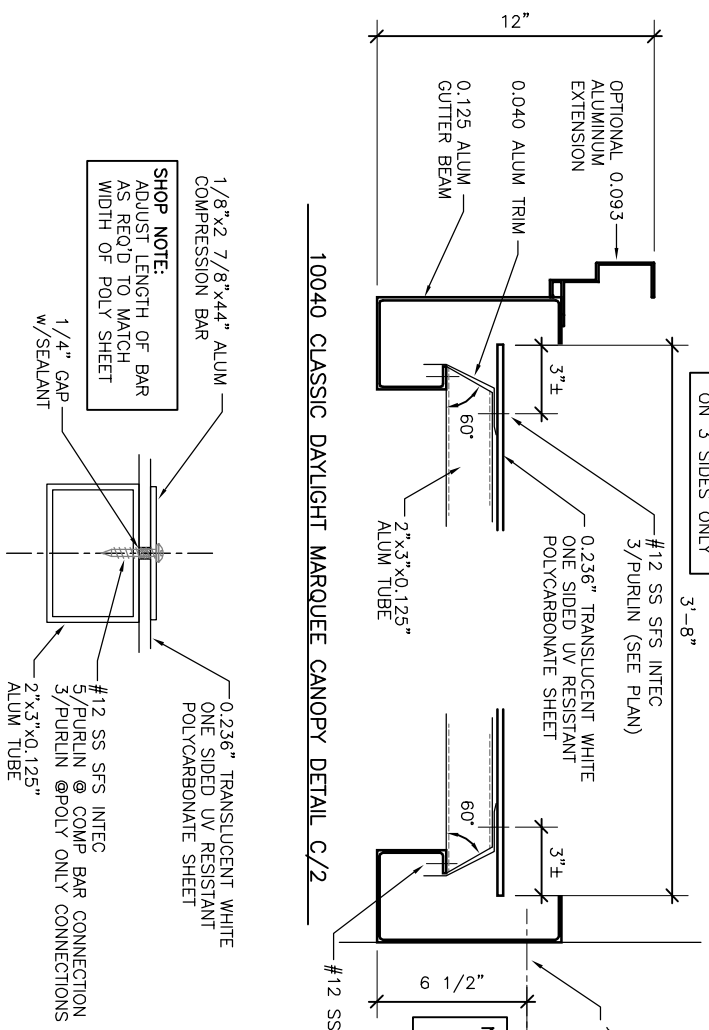
NOTE:
COMPRESSION BAR NOT
SHOWN (SEE DETAIL F/2)
FRAME PLAN VIEW
(1 RECD THUS)

NOTE:
ROD & CLEVIS
HANGER TO ALIGN
WITH THIS TUBE

10040 CLASSIC DAYLIGHT MARQUEE CANOPY DETAIL C/2

10040 CLASSIC DAYLIGHT MARQUEE CANOPY DETAIL D/2

10040 CLASSIC DAYLIGHT MARQUEE CANOPY DETAIL E/2



10040 CLASSIC DAYLIGHT MARQUEE CANOPY DETAIL F/2

ENGINEERING & DESIGN
3627 RED ROOSTER LANE
FARMINGTON, MO 63640
(573) 836-2671

FLOLINE
FLOLINE ARCHITECTURAL SYSTEMS

NATIONAL SALES OFFICE
16108 SOUTH ROUTE 59
PLAINFIELD, ILLINOIS 60586
(866) 356-5463
(815) 733-6999 (FAX)

10040 CLASSIC
DAYLIGHT MARQUEE

COPYRIGHT ©2019
THESE DESIGNS AND
DRAWINGS ARE THE
PROPERTY OF FLOLINE
ARCHITECTURAL SYSTEMS
LLC. THEY MAY NOT BE
USED OR REPRODUCED IN
ANY MANNER WITHOUT
EXPRESS WRITTEN
PERMISSION.

PROJECT DATA	
PROJECT NAME:	10040 CLASSIC
LOCATION:	DAYLIGHT MARQUEE
CUSTOMER:	
ARCHITECT:	
DRAWN BY:	ECM
CHECKED BY:	
DATE:	07/15/19
STATUS:	
PROJECT NUMBER:	
ISSUANCE # & NUMBER:	CLASSIC DAYLIGHT 10040
SHEET:	3
OF 4:	