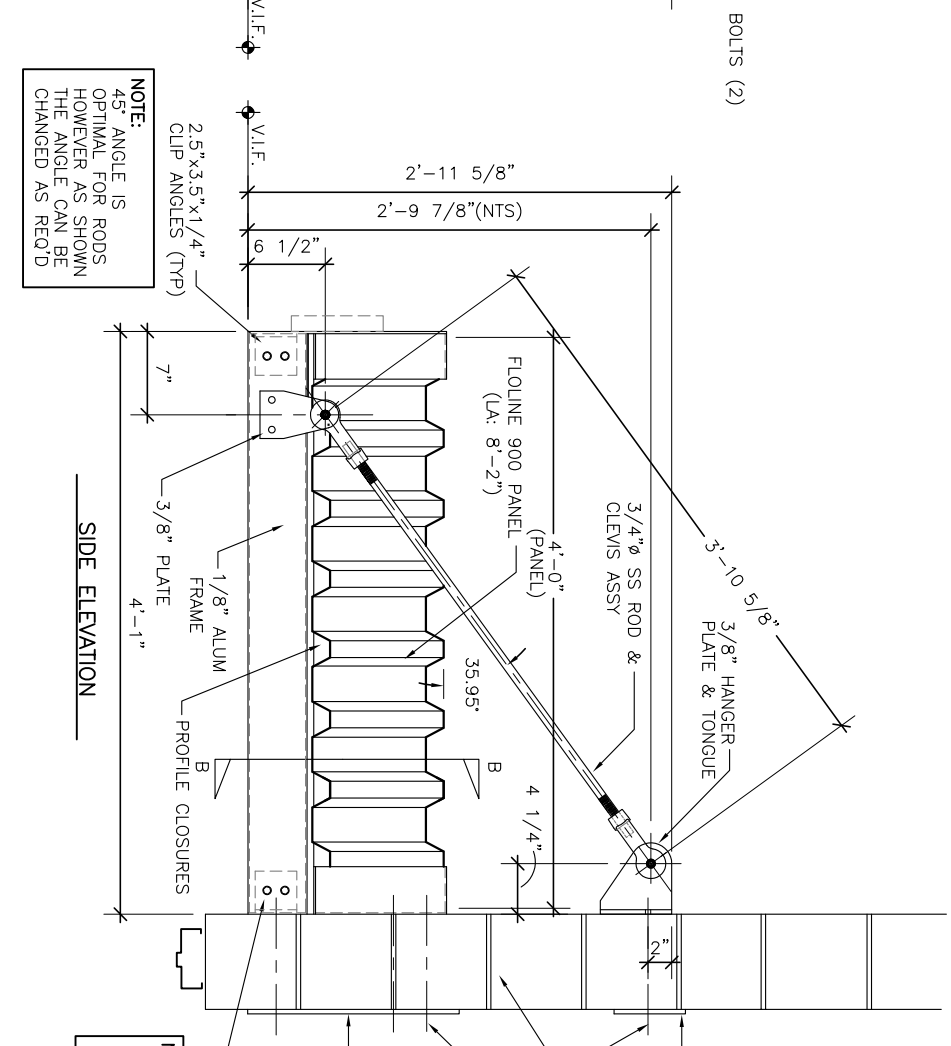
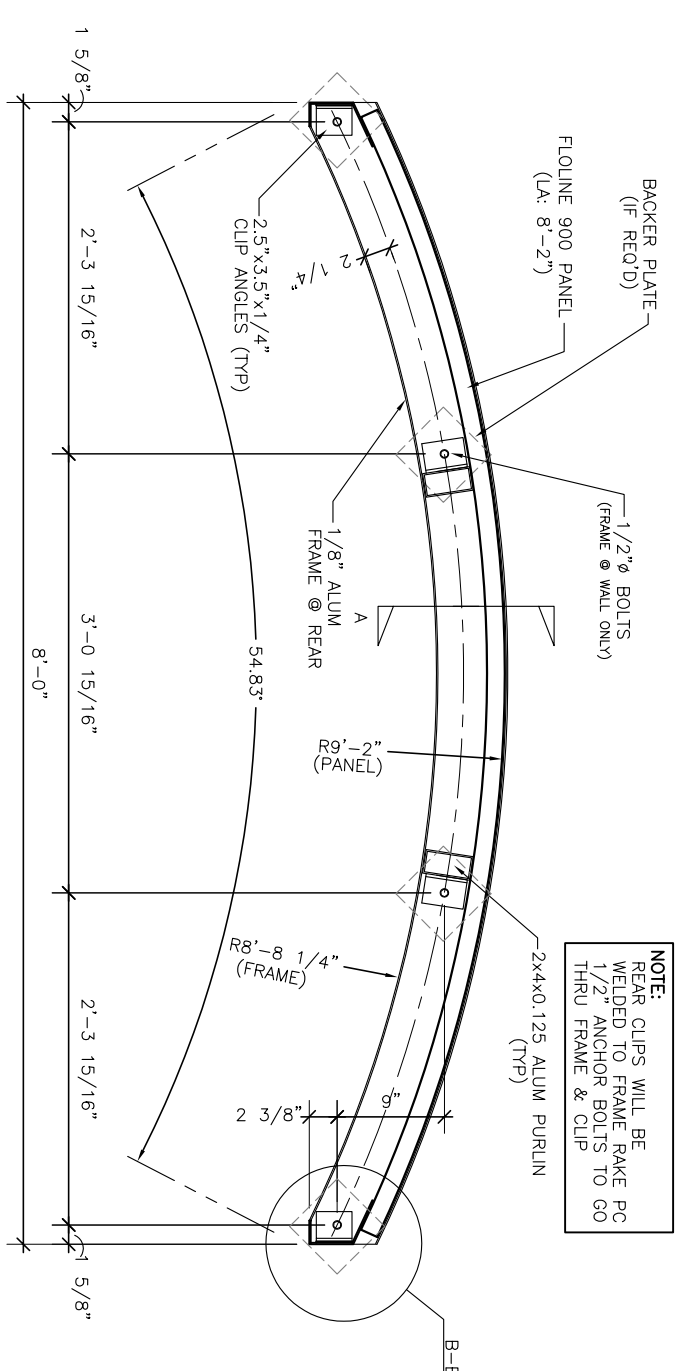


FRONT ELEVATION



SIDE ELEVATION

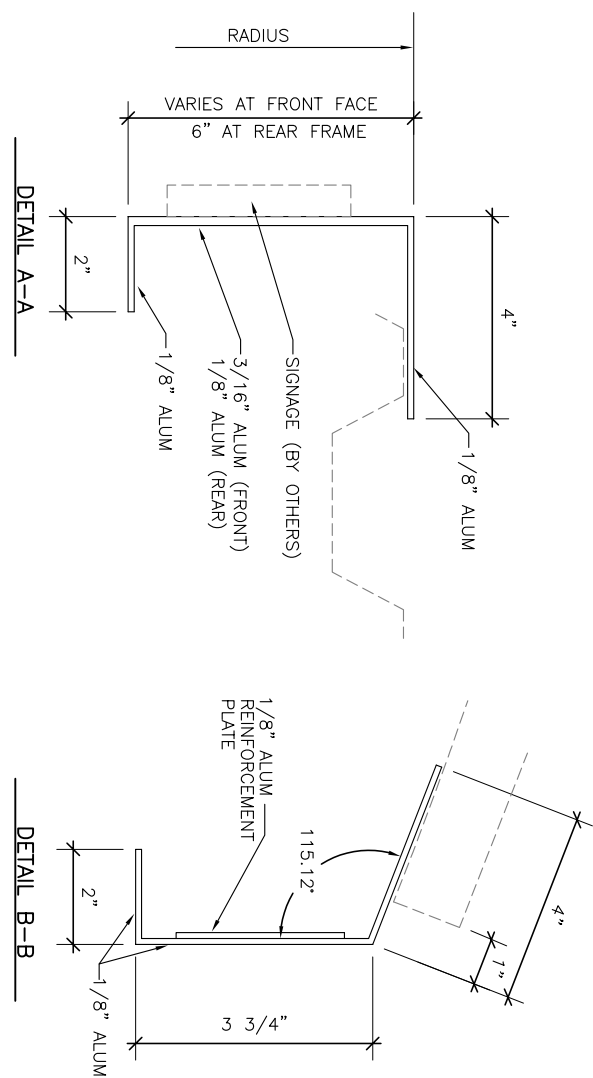


SECTION B-B

NOTE:  
REAR CLIPS WILL BE WELDED TO FRAME RAKE PC 1/2" ANCHOR BOLTS TO GO THRU FRAME & CLIP

NOTE:  
45° ANGLE IS OPTIMAL FOR RODS HOWEVER AS SHOWN THE ANGLE CAN BE CHANGED AS REQ'D

NOTE:  
REAR CLIPS WILL BE WELDED TO FRAME RAKE PC 1/2" ANCHOR BOLTS TO GO THRU FRAME & CLIP



DETAIL A-A

DETAIL B-B

<b>PROJECT DATA</b>	
PROJECT NAME:	SPARTAN MARQUEE
LOCATION:	8040 - 900 PANEL
CUSTOMER:	
ARCHITECT:	
SHEET:	1
DRAWN BY:	ECM
CHECKED BY:	
DATE:	07/17/19
REVISIONS:	
DRAWING FILE NUMBER:	SPARTAN 8040-900

ENGINEERING & DESIGN  
3627 RED ROOSTER LANE  
PLAINFIELD, ILLINOIS 60586  
(573) 836-2671

**FLOLINE**  
FLOLINE ARCHITECTURAL SYSTEMS

NATIONAL SALES OFFICE  
16108 SOUTH ROUTE 59  
PLAINFIELD, ILLINOIS 60586  
(866) 356-5463  
(815) 733-6999 (FAX)

SPARTAN MARQUEE  
8040 - 900 PANEL

COPYRIGHT © 2019  
THESE DESIGNS AND DRAWINGS ARE THE PROPERTY OF FLOLINE ARCHITECTURAL SYSTEMS LLC. THEY MAY NOT BE USED OR REPRODUCED IN ANY MANNER WITHOUT EXPRESS WRITTEN PERMISSION.